



Conforms to UL STD. 763 and NSF Std. 08

SIRIO 1 - 2

Drink mixer



SIRIO 1



SIRIO 1 C



- Stylish and technologically advanced mixer with a frappe whisk particularly suitable for preparing coffees, cocktails, sorbets, smoothies, milk shakes
- Safety interlock stops machine when cup is removed
- Powerful, air-cooled motor
- 2 whisk mixing system
- Become part of a massively growing market with the SIRIO 1 C, specially designed for the production of frozen coffees or for creamier results due to its special round agitator

Features

Technical:

- The spindle comes standard with three agitators for smoother and creamier results in less time.
- The sealed ball bearing motors gives a quiet and long lasting operation.

Safety:

- An interlock on the cup support prevents the machine from starting when the cup is not in place and stops machine when the cup is removed from its support.

Sanitary:

- Easy to clean aluminum alloy construction does not crack or stain.
- The agitators are made from stainless steel and resist wear and oxidation.

Specifications

Construction:

The base and stem are made from polished, anodized aluminum alloy. The head is made from ABS plastic, standard cup is made from Tritan.

Stainless steel cup is available on request.

Motor:

0.14 Hp, 100 W, direct transmission.

Electrical:

120V AC, 60Hz, 1.60 Amp. (220V, 50Hz available on request).

Plug & Cord:

Detachable, flexible, 3 wire SJT AWG 18, 6' long.

Controls:

ON / OFF button.





Optional: ring for paper cups



Stainless steel cup on request

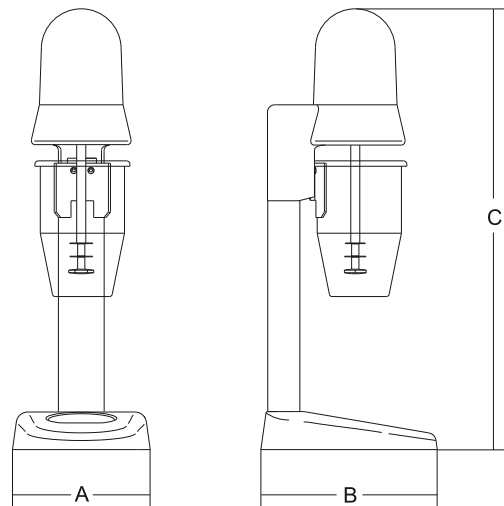


Sirio Caffè



Optional: Sirio Caffè recipes CD

SIRIO 2 M



	Power watt/Hp	Power source	Motor r.p.m.	Jug capacity oz.	A inch.	B inch.	C inch.	Net weight lbs.	Shipping inch.	Gross weight lbs.
SIRIO 1	100/0,14	120V AC, 60Hz, 1.60 Amp.	14.000	18	5 ⁷ / ₈ "	7 ¹¹ / ₁₆ "	19 ⁹ / ₈ "	6	8 ¹ / ₂ " x 9 ¹³ / ₁₆ " x 20 ¹ / ₂ "	8
SIRIO 1 C	100/0,14	120V AC, 60Hz, 1.60 Amp.	14.000	18	5 ⁷ / ₈ "	7 ¹¹ / ₁₆ "	19 ⁹ / ₈ "	6	8 ¹ / ₂ " x 9 ¹³ / ₁₆ " x 20 ¹ / ₂ "	8
SIRIO 2 M	100+100/0,14+ 0,14	120V AC, 60Hz, 1.60 Amp.	14.000	18 x 2	11 ¹³ / ₁₆ "	7 ¹¹ / ₁₆ "	19 ⁹ / ₈ "	11	14 ⁹ / ₁₆ " x 10 ¹ / ₄ " x 20 ⁷ / ₈ "	14