

Model: 234R

Southbend's Double Radiant Broilers combine speed, efficiency and output in a broiler that just won't quit. From the rugged, welded steel broiler grids to the dependable grid adjustment mechanism, Southbend's Broilers are built tough to last.

Standard Features

- Total BTU: 220,000 BTU NAT (180,000 BTU LP)
- 34" wide x 72-1/2" high including 6" stainless steel legs
- 2" Flue Collar
- Stainless steel front, sides, top and legs
- Interior shelving made of high-heat aluminized steel
- Equipped with twin burner controls
- Easy grip, spring balance adjusting lever



(shown with optional casters)

Job _____
Item# _____

STANDARD CONSTRUCTION SPECIFICATIONS

Exterior Finish: Top, front, and sides are 430 stainless steel #3 polish. Aluminized steel back.

Broiler: Double deck radiant broiler with 4 Schwank broiler burners at 55,000 BTU NAT (45,000 BTU LP) with separate controls. Constant-burning pilot lighters. Overall dimensions: 34" wide x 37" deep x 72-1/2" high (not including vent) with two adjustable grids. Fully insulated lining and burner box.

Schwank Broiler Burners: Radiant burners with ceramic

tile catalysts -proven capable of withstanding extreme high temperatures without deteriorations or disintegration.

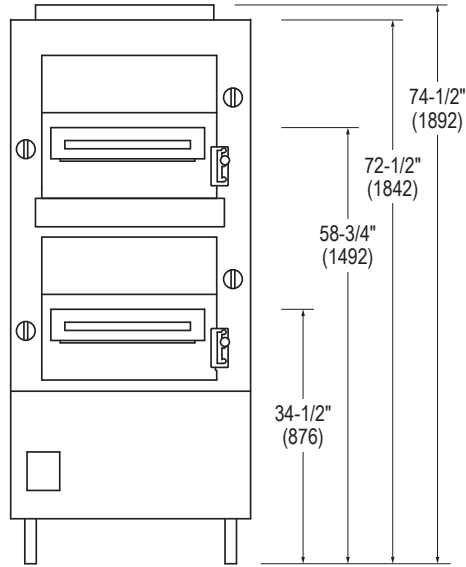
Broiler Grid: Roll-out broiler grid is 24-1/2" wide and 28" deep (rolls out to 17-1/4"), with four height positions. The front 3" receive less heat so can be used as a holding area.

Legs: Stainless steel 6" adjustable legs standard

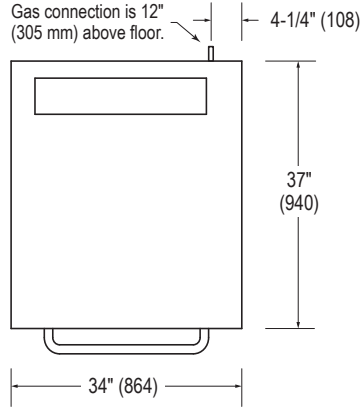


Models: 234R

Dimensions -in (mm)



FRONT VIEW



TOP VIEW

MODEL	SHIPPING CRATE DIMENSIONS & WEIGHT				
	WIDTH	HEIGHT	DEPTH	VOLUME	WEIGHT
234R	45.5" (1156)	83" (2108)	55" (1397)	120.2 cu ft (3.40 cu m)	932 lbs (422.7kg)

Dimensions shown in inches and (millimeters)

UTILITY INFORMATION

MODEL	GAS (BTU/HR)	
	NATURAL	PROPANE
234R	220,000	180,000

GAS: Each unit has a 3/4" rear gas connection with a male NPT connector. Minimum supply pressure is 7" W.C. for natural gas and 11" W.C. for propane. If using a flexible hose gas connection, the I.D. of the hose must not be smaller than the connector on the unit and must comply with ANSI Z21.69, providing an adequate means of restraint to prevent undue strain on the gas connection.

MISCELLANEOUS

- Install under vented hood
- Check local codes for fire, installation and sanitary regulations.

NOTICE:

Southbend has a policy of continuous product research and improvement. We reserve the right to change specifications and product design without notice. Such revisions do not entitle the buyer to corresponding changes, improvements, additions or replacements for previously purchased equipment.

OPTIONS AND ACCESSORIES

Stainless steel flue diverter

Casters in lieu of legs

**INTENDED FOR COMMERCIAL USE ONLY.
NOT FOR HOUSEHOLD USE.**



1100 Old Honeycutt Road, Fuquay-Varina, NC 27526
(919) 762-1000 www.southbendnc.com