



# Perfect Heat, Perfect Timing, Perfect Brew.

**Brew the Perfect Cup Now. Serve the Perfect Cup Later.** Brew and hold your coffee at the perfect temperature for as long as you want.

**IntelliFresh® remembers so you don't have to.** Once you press Brew, your pre-programmed freshness requirements and desired warming temperature is automatically set. IntelliFresh® Satellite Servers are smart. They remember these settings — not only while at the brewer, but at the remote serving stand too. The exclusive design envelops the satellite vessel with gentle, digital controlled warmth, so the last cup you serve will always taste as fresh as the first. The Gold Cup Series™ Gemini® IntelliFresh® proves that high-end brewing systems don't have to be costly and complex to serve perfect coffee.

---

ITEM NO \_\_\_\_\_

---

PROJECT \_\_\_\_\_

---

DATE \_\_\_\_\_

## FEATURES AT A GLANCE

**INTELLIFRESH® Technology** – Continuously monitors and holds temperature by gently adding heat to preserve coffee flavor.

- **LED notification of freshness timing.**
- **Gold Cup Series™** – Digital control module provides precise control over all aspects of brewing: time, temperature, volume, plus specialty coffee needs from pre-infusion to pulse- brewing to water bypass.
- **Pre-set, one-touch Global Recipes** – Based on coffee type, grind and weight. Simplifies profile setting for gourmet results every time.
- **Industry's most effective mineral tolerant design.**  
Patented fast-wetting AFS Srayhead  
Non-immersed water temperature sensor
- **Encapsulated Control Board** – Protects against steam, water and impact.
- **Field selectable for ½, 1 or 1½ gal. batch brewing.**



## INTELLIFRESH® SATELLITE SERVERS AND WARMERS

- **Engineered for easy maintenance** – smart, water tolerant design. No foam or fiber insulation.
- **Temperature can be set thru the digital control board to high, medium or low to preserve peak coffee freshness** – Factory set to 185°F. Quality timer is set to 2 hours.



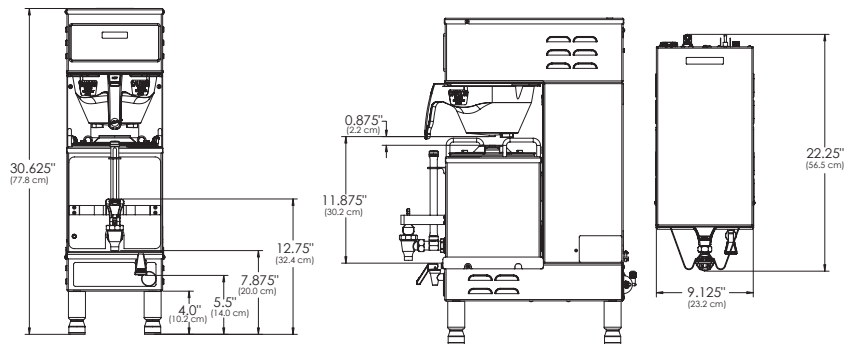
GEM3IF & GEM5IF (Left)  
GEMSIF (Right)

## SPECIFICATIONS

**Model No:** GEMSF10A1000  
**Selections:** 3 Brew Batches  
**Dimensions:** 30.625" x 9.125" x 22.25"  
 H x W x D  
**Voltage\*:** 220V/1 Phase  
 3 Wire + Ground  
**Power Rqmts.:** 4050W 18.5A  
**Water Source:** 3/8" Flare  
**Ship Weight:** 51 lbs.  
**Cube (cu. ft.):** 6.7

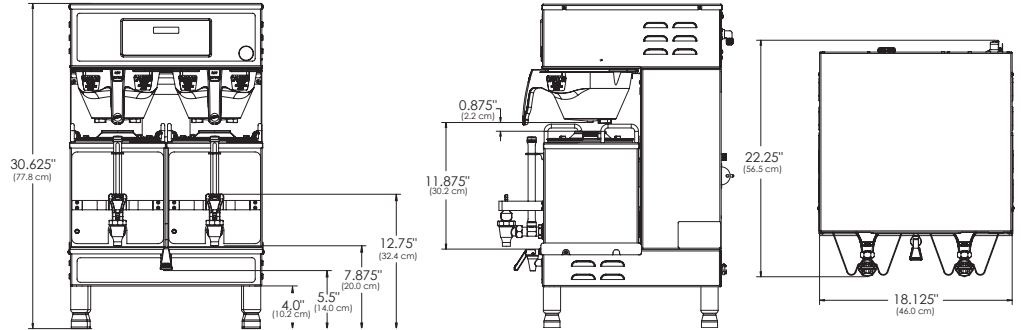
## SPECIFICATIONS

**Model No:** GEMSF63A1000 (Dual Voltage)  
**Selections:** 3 Brew Batches  
**Dimensions:** 30.625" x 9.125" x 22.25"  
 H x W x D  
**Voltage\*:** 120V/220V  
 2 Wire/3 Wire + Ground  
**Power Rqmts.:** 1650W/2800W 13.5/13.5A  
**Water Source:** 3/8" Flare  
**Ship Weight:** 51 lbs.  
**Cube (cu. ft.):** 6.7



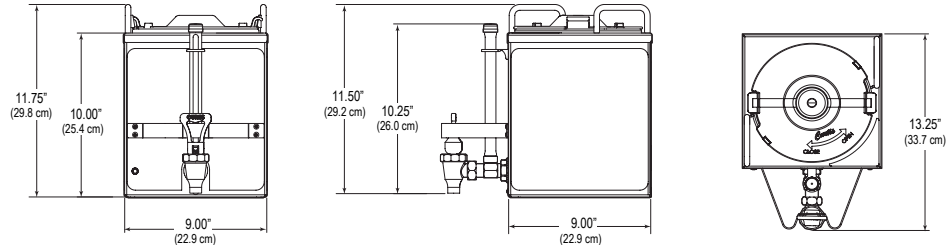
## SPECIFICATIONS

**Model No:** GEMTIF10A1000  
**Selections:** 6 Brew Batches  
**Dimensions:** 30.625" x 18.125" x 22.25"  
 H x W x D  
**Voltage\*:** 220V/1 Phase  
 3 Wire + Ground  
**Power Rqmts.:** 5100/7500W 23/34A  
**Water Source:** 3/8" Flare  
**Ship Weight:** 85 lbs.  
**Cube (cu. ft.):** 10.9



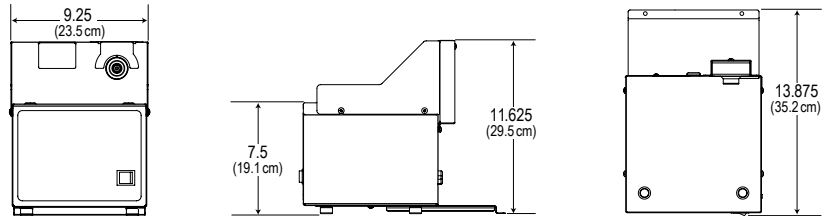
## SPECIFICATIONS

**Model No:** GEM3IF (Satellite)  
**Dimensions:** 9.00" x 11.75" x 13.25"  
 H x W x D  
**Voltage\*:** 120V 2 Wire + Ground  
**Power Rqmts.:** 71W / 0.60A  
**Ship Weight:** 11 lbs.  
**Cube (cu. ft.):** 1.4



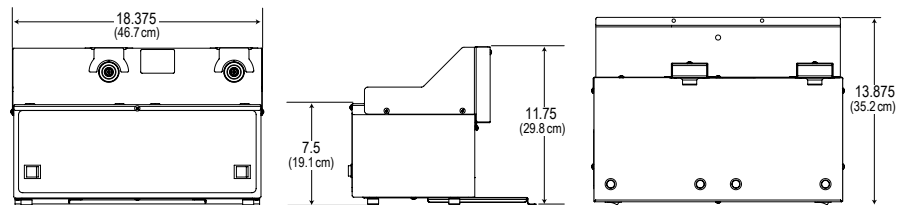
## SPECIFICATIONS

**Model No:** GEM5IF (Stand)  
**Dimensions:** 11.625" x 9.25" x 13.875"  
 H x W x D  
**Voltage\*:** 120V 2 Wire + Ground  
**Power Rqmts.:** 71W/.60A  
**Ship Weight:** 10 lbs.  
**Cube (cu. ft.):** 1.4



## SPECIFICATIONS

**Model No:** GEM5IFT (Stand)  
**Dimensions:** 11.75" x 18.375" x 13.875"  
 H x W x D  
**Voltage\*:** 120V 2 Wire + Ground  
**Power Rqmts.:** 142W/1.18A  
**Ship Weight:** 14 lbs.  
**Cube (cu. ft.):** 2.8



\* Optional 220VAC/3 Phase - Specify 3 Wire or 4 Wire Plus Ground.



**WILBUR CURTIS COMPANY, INC.**  
 6913 Acco Street, Montebello, CA 90640-5403  
 Telephone: 800-421-6150 · 323-837-2300  
 Fax: 323-837-2406  
 www.wilburcurtis.com



PENDING  
 NOV/12 - 15932 F-3685 revC