



THERMOPRO™ INSULATED SERVERS

MODELS: TXSG01, TXSG15

Curtis ThermoPro™ Stainless Vacuum Servers – Designed to Provide Optimum Heat Retention.



ITEM NO _____

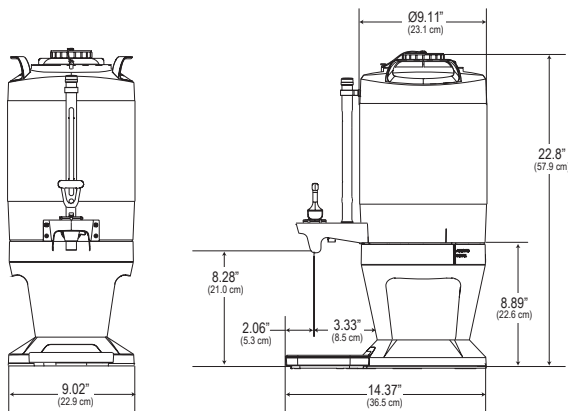
PROJECT _____

DATE _____

FEATURES AT A GLANCE

- Attractive design complements hotel lobbies, service bars or back-of house.
- Stainless steel liner for commercial durability.
- Integral base makes it easy to create remote coffee stations.
- Brew through top keeps heat and flavor in.
- Sturdy handles and dual function faucet guard provide multiple carrying points for ease of transportation.
- Separate drip tray for easy cup location and cleaning.
- Significant faucet clearance for cup and decanter service.
- Includes sight glass cleaning brush.

Model: TXSG1501S600

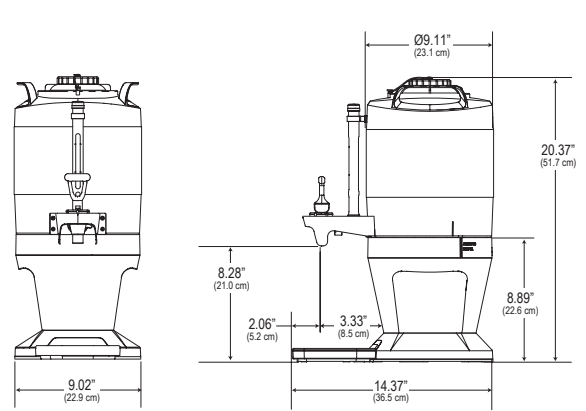


CAPACITY
1.5 Gallons

DIMENSIONS
22.8" x 9.02" x 14.37

SHIP WEIGHT
15 lbs.

Model: TXS0101S600



CAPACITY
1 Gallons

DIMENSIONS
20.37" x 9.02" x 14.37

SHIP WEIGHT
14 lbs.

